



ACCU-SCOPE®

73 Mall Drive • Commack, NY 11725 • www.accu-scope.com • Phone (631) 864-1000 • Fax (631) 543-8900

3000-LED and EXC-350 Series Simple Polarizer and Analyzer Installation Instructions

Figure 1

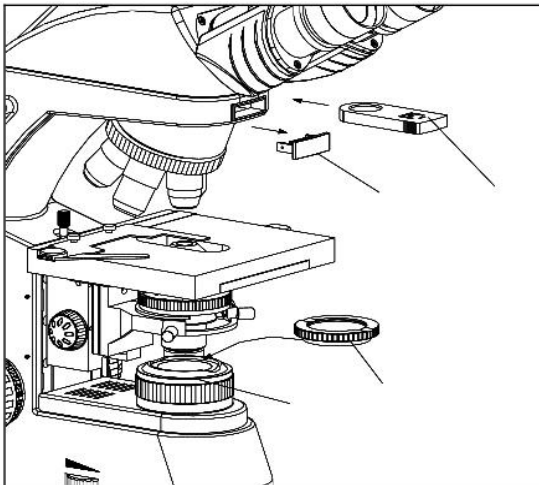
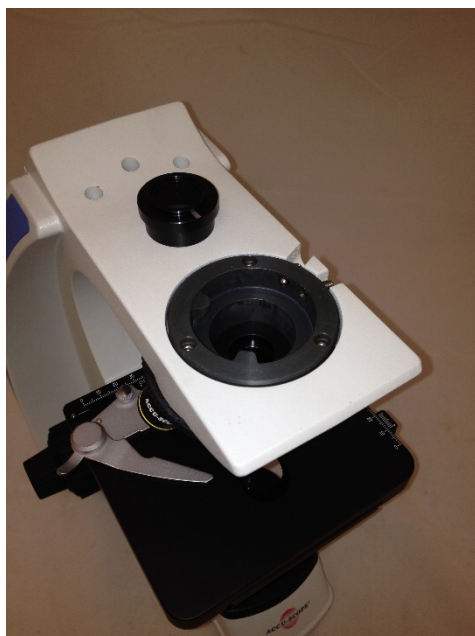


Figure 2



Simple polarizing includes the analyzer ② and the polarizer ③. (Fig. 21)

NOTE: Use of polarizer/analyzer for the 3000-LED and EXC-350 requires the field iris upgrade CAT# 00-2348.

INSTALLATION:

For the EXC-350 Series unplug the analyzer dust cap from the arm ① and insert the analyzer face up.

Place the polarizer in the groove on top of the field iris diaphragm (EXC-350) or illuminator housing (3000-LED) as shown.

Rotation of the polarizer ④ will change the orthogonal status of polarization.

NOTE: When the image is darkest as you viewed through the eyepieces, polarization has been achieved.

For installation on the 3000-LED Series:

1. Remove the viewing head if it is attached to the microscope; the dovetail is now exposed (Fig.2)
2. Insert the analyzer (the smaller diameter portion facing downwards) into the dovetail.
3. Turn on the illumination and rotate the nosepiece until the 40x objective is in the viewing position
4. While looking downwards through the analyzer and 40x objective, rotate the analyzer until the field of view is at its darkest illumination. This will usually occur when the white dot on the analyzer is at the position shown in Figure 3
5. Re-attach the viewing head and re-align



ACCU-SCOPE®

73 Mall Drive • Commack, NY 11725 • www.accu-scope.com • Phone (631) 864-1000 • Fax (631) 543-8900

Figure 3

